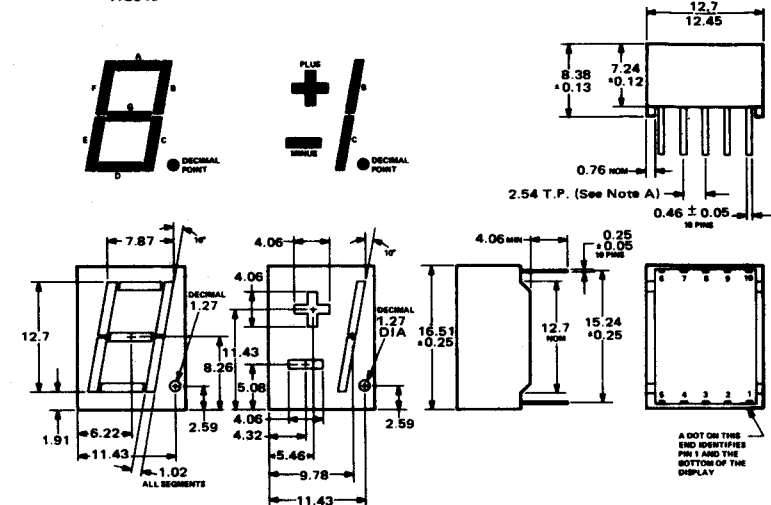


LED Displays Low Cost Range

Device Type	Type of Character(s)	Character Height (inches)	Colour of Display	Package	Key Features
TIL312	7-segment	0.300	Red	14-lead dual-in-line plastic	TIL312 has common-anode, right and left decimals
TIL313					
TIL314	7-segment	0.300	Green	14-lead dual-in-line plastic	TIL312 has common-anode, right and left decimals
TIL315					
TIL316	7-segment	0.300	Amber	14-lead dual-in-line plastic	TIL316 has common-anode, right and left decimals
TIL317					
TIL327	Polarity and overflow unit	0.300	Red	14-lead dual-in-line plastic	Left decimal
TIL328	Polarity and overflow unit	0.300	Green	14-lead dual-in-line plastic	Left decimal
TIL329	Polarity and overflow unit	0.300	Amber	14-lead dual-in-line plastic	Left decimal
TIL321A	7-segment	0.500	Red	10-lead dual-in-line plastic	Right decimal. TIL321 is common-anode, TIL322 is common-cathode
TIL322A					
TIL323A	7-segment	0.500	Green	10-lead dual-in-line plastic	Right decimal. TIL323 is common-anode, TIL324 is common-cathode
TIL324A					
TIL325A	7-segment	0.500	Amber	10-lead dual-in-line plastic	Right decimal. TIL325 is common-anode, TIL326 is common-cathode
TIL326A					
TIL330A	Polarity and overflow unit	0.500	Red	10-lead dual-in-line plastic	Right decimal
TIL331A	Polarity and overflow unit	0.500	Green	10-lead dual-in-line plastic	Right decimal
TIL332A	Polarity and overflow unit	0.500	Amber	10-lead dual-in-line plastic	Right decimal
TIL701	7-segment	0.5	Red	10-lead dual-in-line plastic	Common-anode
TIL702	7-segment	0.5	Red	10-lead dual-in-line plastic	Common-cathode
TIL703	Plus/minus	0.5	Red	10-lead dual-in-line plastic	Common-anode
TIL704	Plus/minus	0.5	Red	10-lead dual-in-line plastic	Common-cathode

- 2 and 4 digit versions available.
- Hermetic versions available—details on request.

TIL321A THRU TIL326A, TIL342, TIL343, TIL345, TIL346
TIL330A, TIL331A, TIL332A, TIL344, TIL347



TIL321A, TIL323A, TIL325A, TIL342, TIL345

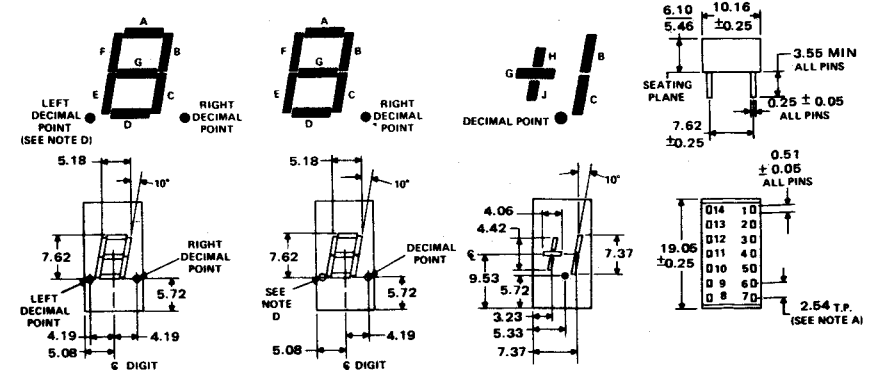
TIL322A, TIL324A, TIL326A, TIL343, TIL346

TIL330A, TIL331A, TIL332A, TIL344, TIL347

TIL312, TIL314, TIL316, TIL336, TIL339

TIL313, TIL315, TIL317, TIL337, TIL340

TIL327, TIL328, TIL329, TIL338, TIL341



END AND BOTTOM VIEWS AND TERMINAL DETAIL FOR ALL NINE TYPES