



CZX-3500 Specifications

Impedance: 50 Ohms

VOLTAGE

Pull in:	10.0Vdc-14Vdc(12Vdc Nominal)
Drop out:	3.0Vdc Min.
Current:	230mA @ 12Vdc, 20°C
Coil Resistance	52 Ohms, 10%, 20°C

SWITCHING TIME

Pull in:	20ms typical
Drop out:	18ms typical
Life Expectancy:	1,000,000 Operation Min.

MECHANICAL

Contact Arrangement:	SPDT
RF Contacts:	Break before make
Operational Temperature:	-25°C to 50 °C
Weighting:	Approx. 320gs.
Mounting:	Four Screws
Cable Connections:	3 N Type Female Connectors

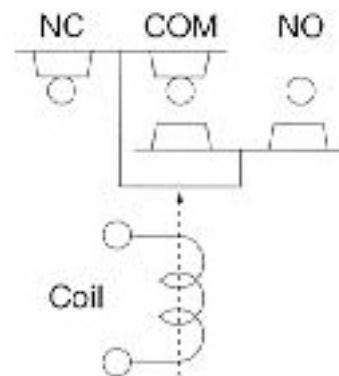
COIL CHARACTERISTICS

Nominal Voltage:	12Vdc
Voltage Range:	10Vdc-14Vdc
Coil Resistance Ohms:	52
Mounting:	-

ELECTRICAL CHARACTERISTICS

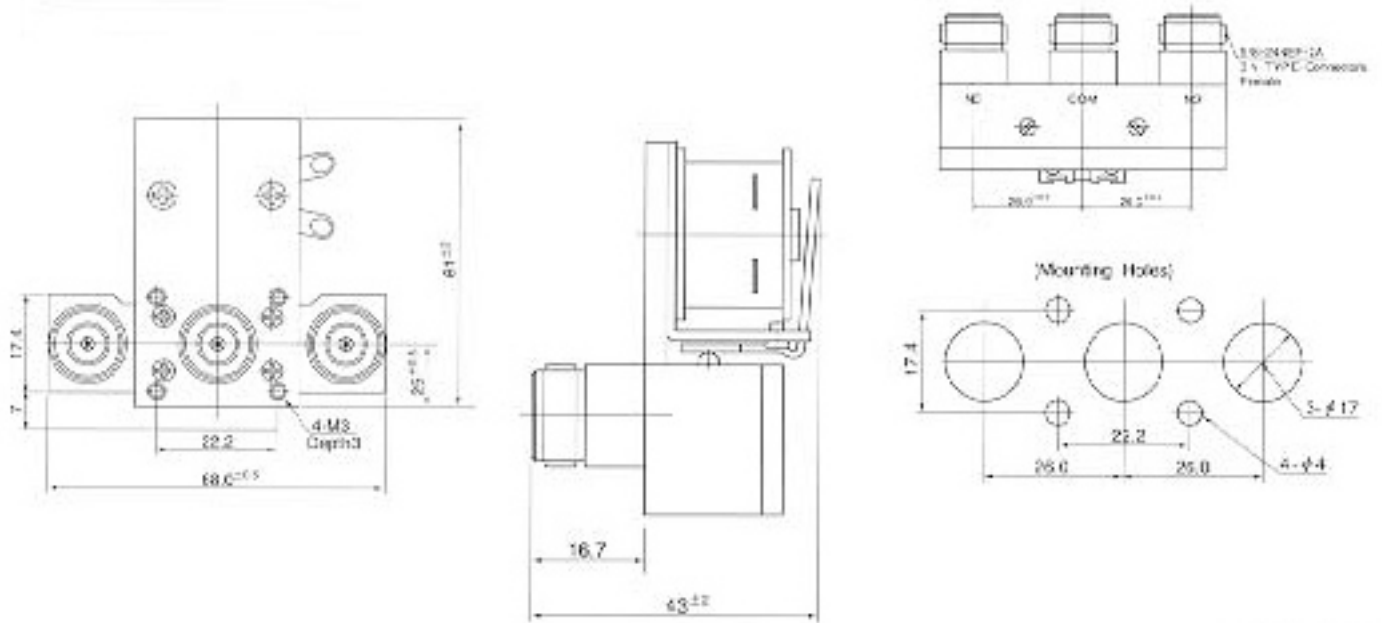
Frequency (MHz)	VSWR (Max)	Isolation -dB[min]	Ins. Loss -dB [max]	Input (W)
50	1.008	65	0.1	1000
150	1.01	65	0.1	1000
500	1.03	65	0.2	800
1000	1.06	65	0.25	600
2000	1.07	65	0.3	250
3000	1.1	60	0.3	50
4000	1.15	55	0.35	15

SCHEMATIC



NON GROUNDING

DIMENSIONS



SCALE m/m

TYPICAL OPERATING CURVES

