



CX-800M Specifications

Impedance: 50 Ohms

VOLTAGE

Pull in:	10.0Vdc-14Vdc(12Vdc Nominal)
Drop out:	1.5Vdc Min.
Current:	250mA @12Vdc, 20°C
Coil Resistance	48 Ohms, 10%, 20°C

SWITCHING TIME

Pull in:	20ms typical
Drop out:	15ms typical
Life Expectancy:	1,000,000 Operation Min.

MECHANICAL

Contact Arrangement:	SPDT
Operational Temperature:	-50°C to 70 °C
Weighting:	Approx. 365gs.
Mounting:	Two Mounting Holes
Cable Connections:	6 M (UHF) Type Female Connectors

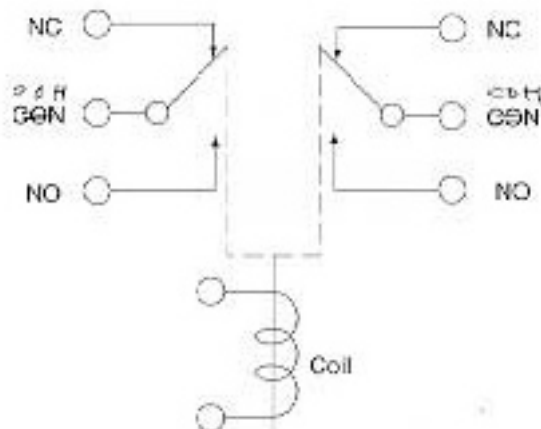
COIL CHARACTERISTICS

Nominal Voltage:	12Vdc/24Vdc/26.5Vdc
Voltage Range:	10Vdc-14Vdc / 19Vdc-26Vdc / 20Vdc-30Vdc
Coil Resistance Ohms:	48/192/245
Mounting:	-

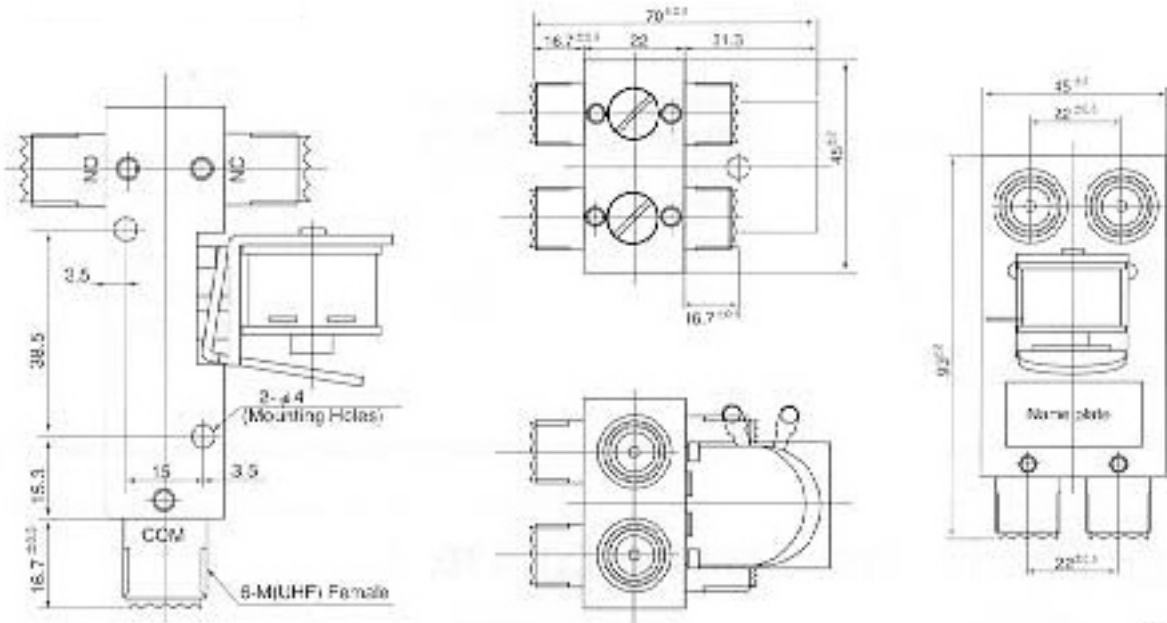
ELECTRICAL CHARACTERISTICS

Frequency (MHz)	VSWR (Max)	Isolation -dB[min]	Ins. Loss -dB [max]	Input (W)
50	1.1	50	0.15	1000KW
150	1.15	48	0.15	1000KW
500	1.15	37	0.2	800KW
1000	1.18	28	0.2	500KW

SCHEMATIC



DIMENSIONS



SCALE m/m

TYPICAL OPERATING CURVES

