

AC axial fan

Series 9900 119 x 119 x 25



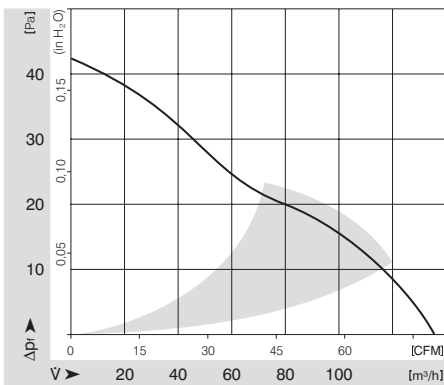
- **General description:** AC fan with internal rotor shaded-pole motor.
- **Impeller material:** Mineral-reinforced PA plastic
- **Housing material:** Metal

Nominal data

Type	Motor	Voltage VAC	Frequency Hz	Air flow m³/h	Speed 1/min	Power consumption W	Sound level Bel	Sound pressure level dB(A)	Ambient temperature °C	L10 service life at 40 °C h	L10 service life at max. temp. h	Weight kg
9906	--	115	60	135	2850	12.0	5.4	42	-40 .. 70	52500	25000	0.325

Subject to modification

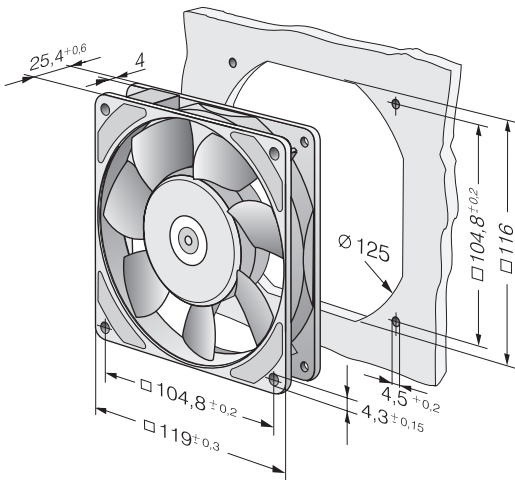
Characteristic: Pressure over air flow



AC axial fan

Series 9900 119 x 119 x 25

Specific drawing



Technical description

- **General description:** AC fan with internal rotor shaded-pole motor.
- **Housing material:** Metal
- **Direction of rotation:** Left, looking at rotor
- **Electrical connection:** 2 flat plugs 2.8 x 0.5 mm
- **Approvals:** VDE, CSA, UL, CE
- **Impeller material:** Mineral-reinforced PA plastic
- **Bearings:** Ball bearings
- **Direction of air flow:** Air exhaust over bars
- **Motor protection:** Protected from overload using impedance protection

Contact

ebm-papst St. Georgen GmbH & Co. KG

Hermann-Papst-Straße 1
D-78112 St. Georgen
Phone +49 (0) 7724 / 81-0
Fax +49 (0) 7724 / 81-1309
info2@de.ebmpapst.com
www.ebmpapst.com