

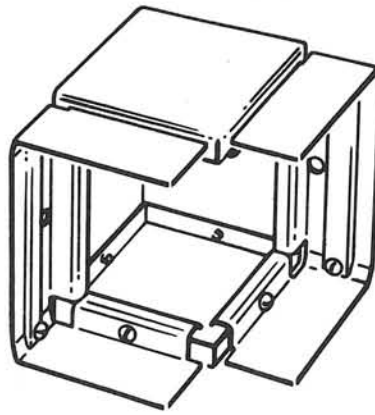


G-6017TX

COMBINATION INTERNAL-EXTERNAL ELBOW

For use with Wiremold G-6000 raceway.

INSTALLATION INSTRUCTIONS



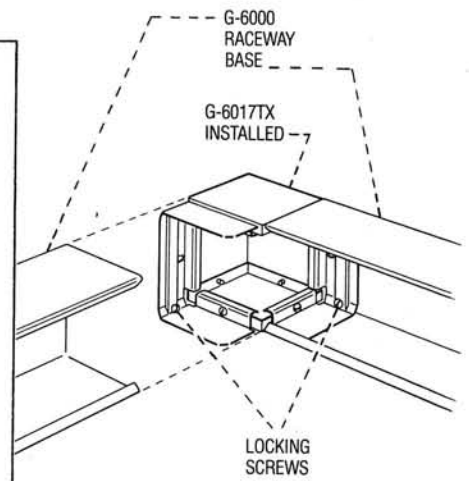
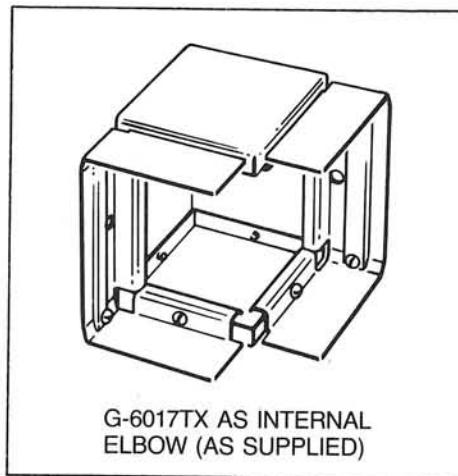
For use as:
Internal Elbow (as supplied)
External Elbow
Inverted Elbow
Tee Fitting
Cross Fitting

Wiremold Electrical Products conform to and should be installed and properly grounded in compliance with requirements of the current National Electrical Code or codes administered by local authorities,

Wiremold electrical products are UL listed, made for interior use and should be installed in conformance with current local and /or the National Electrical Code.

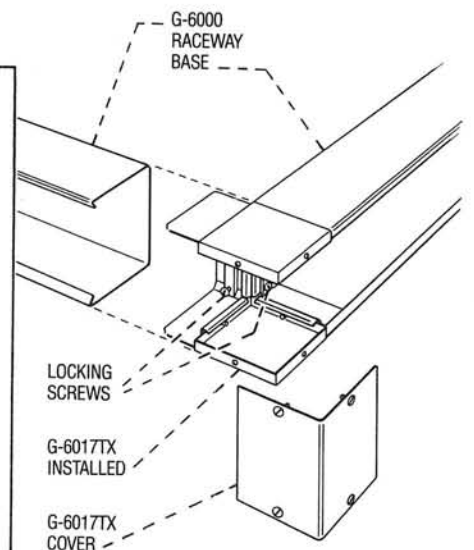
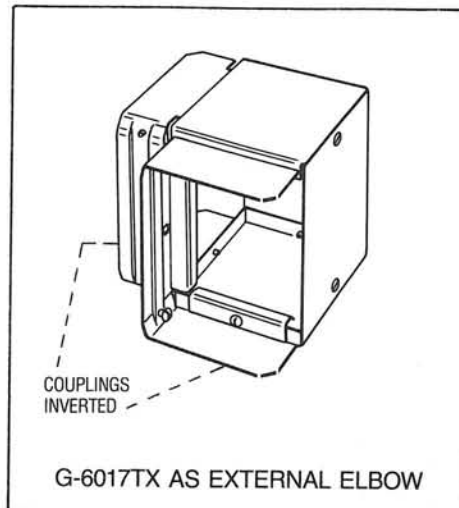
G-6017TX used as internal elbow . . .

1. Assemble G-6017TX in Wiremold G-6000 raceway base section and tighten locking screws securely.
2. Install base section on surface.
3. Assemble next G-6000 base section on G-6017TX and tighten locking screws securely.



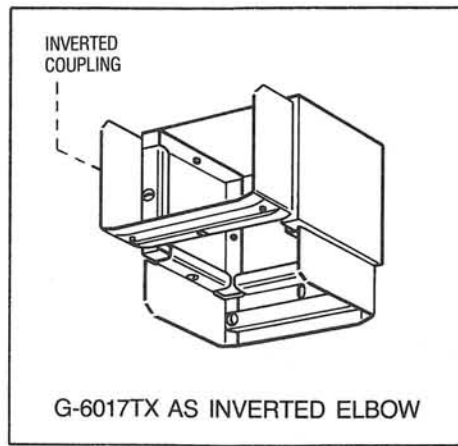
G-6017TX used as external elbow . . .

1. Remove, invert and reassemble both couplings on G-6017TX as shown.
2. Assemble G-6017TX in Wiremold G-6000 raceway base section and tighten locking screws securely.
3. Install base section on surface.
4. Assemble next base section on G-6017TX and tighten locking screws securely.
5. Remove G-6017TX cover, lay in wiring and re-install cover.



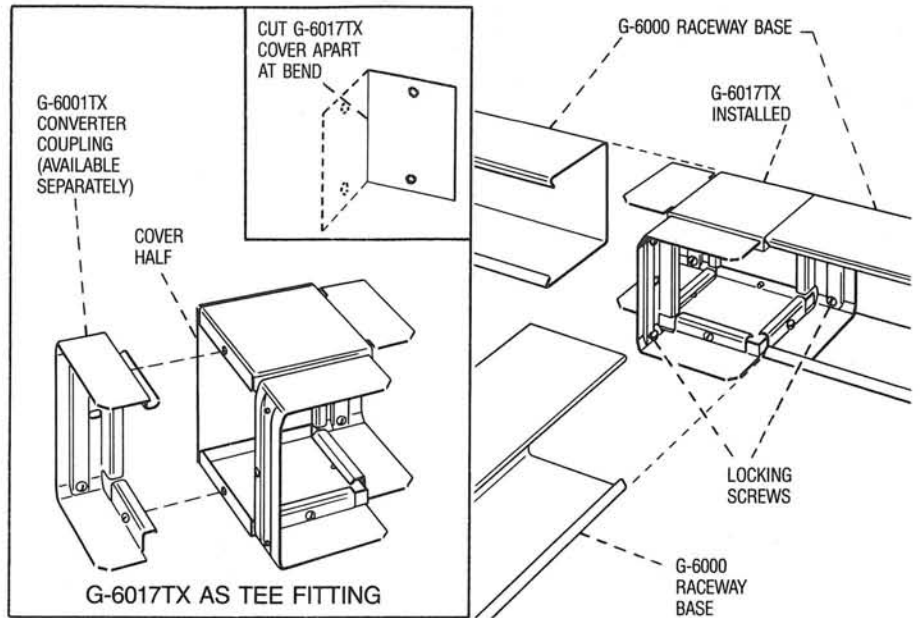
G-6017TX used as inverted elbow . . .

1. Remove, invert and reassemble coupling on G-6017TX as shown.
2. Assemble G-6017TX in Wiremold G-6000 raceway base section and tighten locking screws securely.
3. Install base section on surface.
4. Assemble next base section on G-6017TX and tighten locking screws securely.



G-6017TX used as tee fitting . . .

1. Remove G-6017TX cover and cut apart at right angle bend. Reassemble cover half on G-6017TX.
2. Assemble G-6001TX Converter coupling (available separately) on G-6017TX as shown.
3. Assemble G-6017TX in Wiremold G-6000 raceway base section as shown and tighten locking screws securely.
4. Install base section on surface.
5. Assemble remaining base sections on G-6017TX and tighten locking screws securely.



G-6017TX used as cross fitting . . .

1. Remove G-6017TX cover (not used).
2. Assemble two G-6001TX Converter Couplings (available separately) on G-6017TX as shown.
3. Assemble G-6017TX in Wiremold G-6000 raceway base section and tighten locking screws securely.
4. Install base section on surface.
5. Assemble remaining base sections on G-6017TX and tighten locking screws securely.

